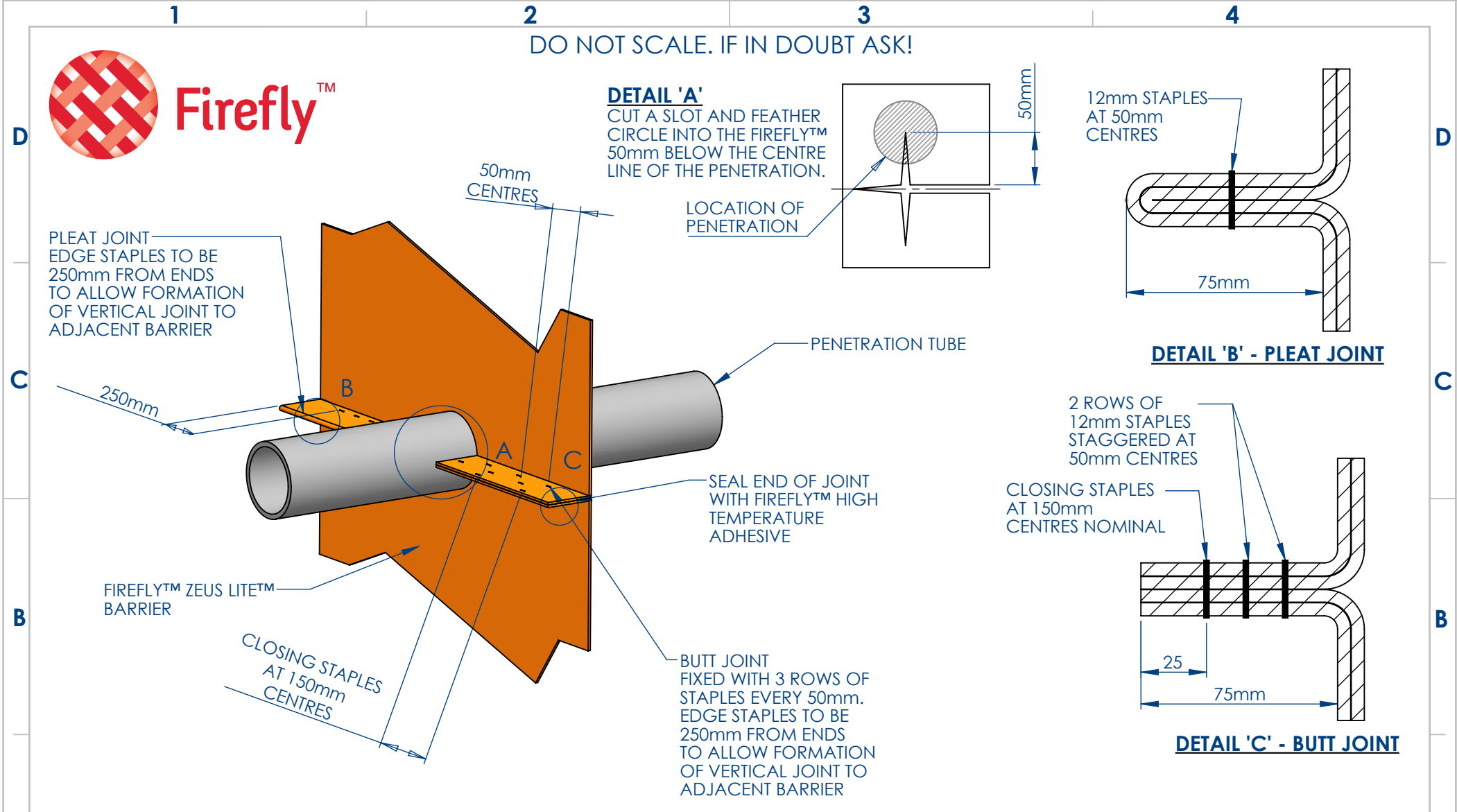


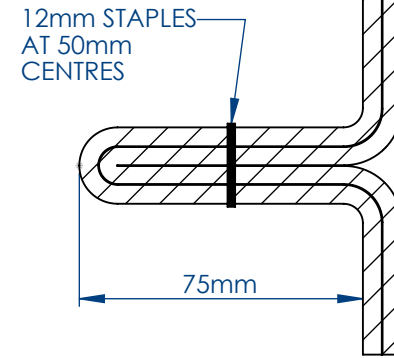
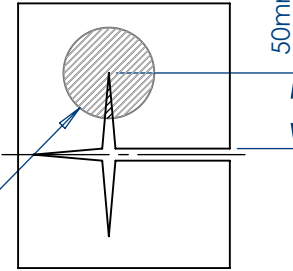


Firefly™

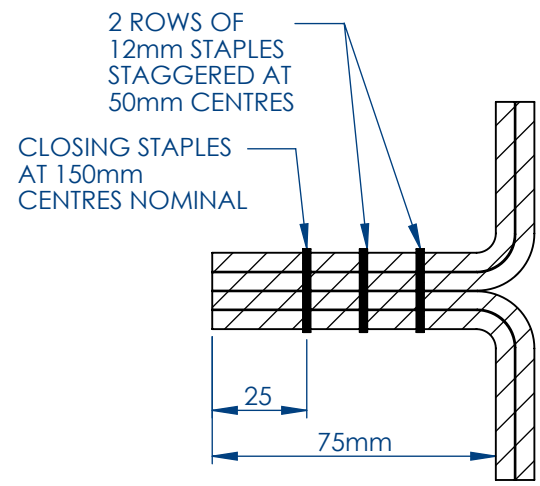
DO NOT SCALE. IF IN DOUBT ASK!



DETAIL 'A'
 CUT A SLOT AND FEATHER
 CIRCLE INTO THE FIREFLY™
 50mm BELOW THE CENTRE
 LINE OF THE PENETRATION.



DETAIL 'B' - PLEAT JOINT



DETAIL 'C' - BUTT JOINT

ALL RIGHTS RESERVED. NO PART OF THIS DRAWING MAY BE USED, REPRODUCED, ALTERED, STORED IN A RETRIEVAL SYSTEM OR TRANSMITTED IN ANY FORM OR BY ANY MEANS WITHOUT THE PRIOR WRITTEN PERMISSION OF TBA PROTECTIVE TECHNOLOGIES LTD. WHILST EVERY EFFORT HAS BEEN MADE TO COMPLY WITH THE CURRENT STATUTORY REGULATIONS, IT IS THE USER'S RESPONSIBILITY TO ENSURE THAT THE FINAL DETAILING AND INSTALLATION MEETS THE REQUIREMENTS OF RELEVANT REGULATORY AUTHORITY (OFTEN BUILDING CONTROL). PLEASE CHECK www.tbafirefly.com TO ENSURE THAT YOU ARE USING THE CORRECT AND CURRENT VERSION. COPYRIGHT 2019

TBA Protective Technologies Ltd
 Unit 3, Transpennine Trading Estate
 Gorrells Way, Rochdale, OL11 2PX
 United Kingdom
 T: +44 (0)1706 758 817
 E: technical@tbafirefly.com
 W: www.tbafirefly.com



Drawn By: RJ
 Approved By: MPR
 Scale: NTS
 Date: 26/02/2020

Title: FIREFLY™ ZEUS LITE™
 BUTT & PLEAT JOINT
Drawing No. Z/010
 Rev: 1