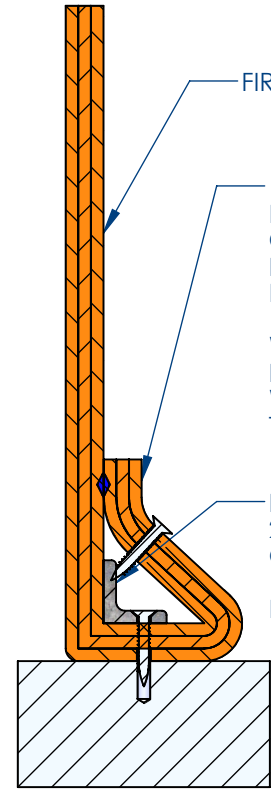




Firefly™

DO NOT SCALE. IF IN DOUBT ASK!

FIREFLY™ CAN BE SECURED USING THE METHODS SHOWN ENSURING THAT THERE IS A 100mm OVERLAP RETURNED OVER TO COVER CLAMPING PLATE SEALED WITH HIGH TEMPERATURE ADHESIVE

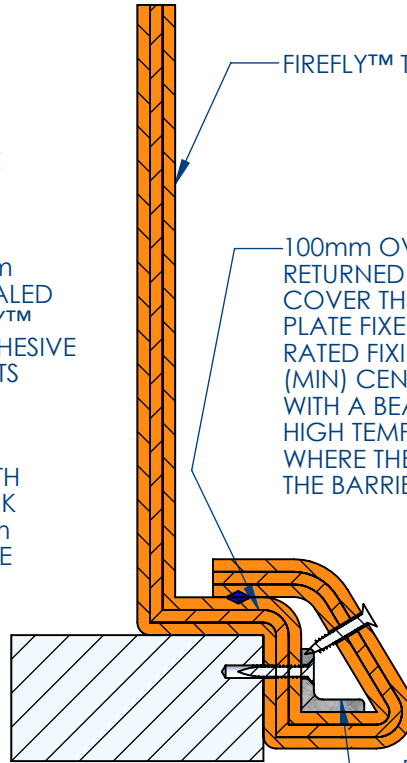


FIRE RESISTING WALL

METHOD 'A'

FIREFLY™ TITAN LITETM
100mm OVERLAP TO BE RETURNED OVER TO COVER THE CLAMPING PLATE FIXED WITH FIRE RATED FIXING AT 250mm (MIN) CENTRES AND SEALED WITH A BEAD OF FIREFLY™ HIGH TEMPERATURE ADHESIVE WHERE THE RETURN MEETS THE BARRIER.

FIREFLY™ CLAMPED WITH 25x25x0.7mm MIN THICK GALV ANGLE AT 250mm (MIN) CENTRES INTO FIRE RESISTING WALL



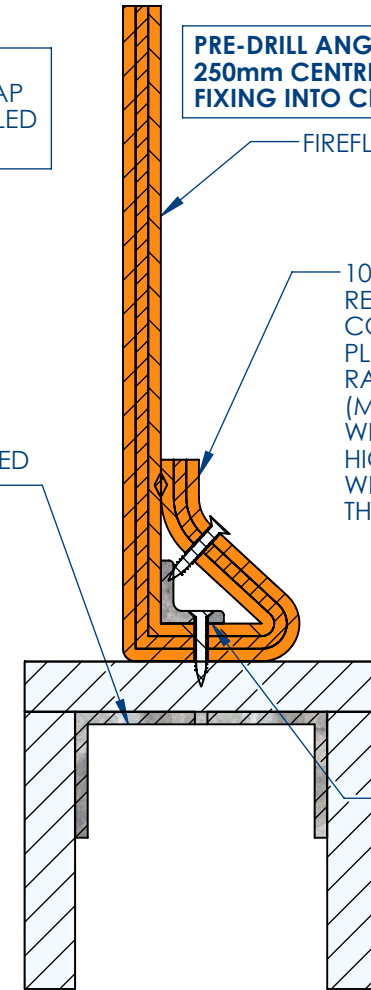
FIRE RESISTING WALL

METHOD 'B'

FIREFLY™ TITAN LITETM
100mm OVERLAP TO BE RETURNED OVER TO COVER THE CLAMPING PLATE FIXED WITH FIRE RATED FIXING AT 250mm (MIN) CENTRES AND SEALED WITH A BEAD OF FIREFLY™ HIGH TEMPERATURE ADHESIVE WHERE THE RETURN MEETS THE BARRIER.

FIREFLY™ CLAMPED WITH 25x25x0.7mm MIN THICK GALV ANGLE AT 250mm (MIN) CENTRES INTO FIRE RESISTING WALL

GALVANISED CHANNEL



FIRE RESISTING PLASTER BOARD OR FIRE RATED PARTITION

METHOD 'C'

PRE-DRILL ANGLE AT 250mm CENTRES WHEN FIXING INTO CHANNEL

FIREFLY™ TITAN LITETM

100mm OVERLAP TO BE RETURNED OVER TO COVER THE CLAMPING PLATE FIXED WITH FIRE RATED FIXING AT 250mm (MIN) CENTRES AND SEALED WITH A BEAD OF FIREFLY™ HIGH TEMPERATURE ADHESIVE WHERE THE RETURN MEETS THE BARRIER.

FIREFLY™ CLAMPED WITH 25x25x0.7mm MIN THICK GALV ANGLE AT 250mm (MIN) CENTRES INTO GALV CHANNEL.

ALL RIGHTS RESERVED. NO PART OF THIS DRAWING MAY BE USED, REPRODUCED, ALTERED, STORED IN A RETRIEVAL SYSTEM OR TRANSMITTED IN ANY FORM OR BY ANY MEANS WITHOUT THE PRIOR WRITTEN PERMISSION OF TBA PROTECTIVE TECHNOLOGIES LTD. WHILST EVERY EFFORT HAS BEEN MADE TO COMPLY WITH THE CURRENT STATUTORY REGULATIONS, IT IS THE USER'S RESPONSIBILITY TO ENSURE THAT THE FINAL DETAILING AND INSTALLATION MEETS THE REQUIREMENTS OF RELEVANT REGULATORY AUTHORITY (OFTEN BUILDING CONTROL). PLEASE CHECK www.tbafirefly.com TO ENSURE THAT YOU ARE USING THE CORRECT AND CURRENT VERSION. COPYRIGHT 2019

TBA Protective Technologies Ltd
Unit 3, Transpennine Trading Estate
Gorrells Way, Rochdale, OL11 2PX
United Kingdom
T: +44 (0)1706 758 817
E: technical@tbafirefly.com
W: www.tbafirefly.com

TBA
Protective Technologies Ltd

Drawn By: RJ

Approved By: MPR

Scale: NTS

Date: 24/02/2020

Title: FIREFLY™ TITAN LITETM
BOTTOM FIX

Drawing No.

T/013

Rev:

1