

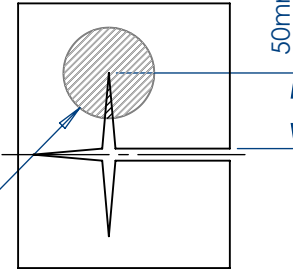


Firefly™

DO NOT SCALE. IF IN DOUBT ASK!

DETAIL 'A'

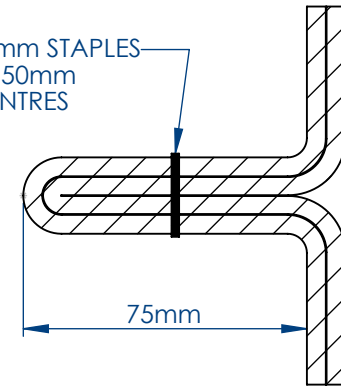
CUT A SLOT AND FEATHER
CIRCLE INTO THE FIREFLY™
50mm BELOW THE CENTRE
LINE OF THE PENETRATION.



LOCATION OF
PENETRATION

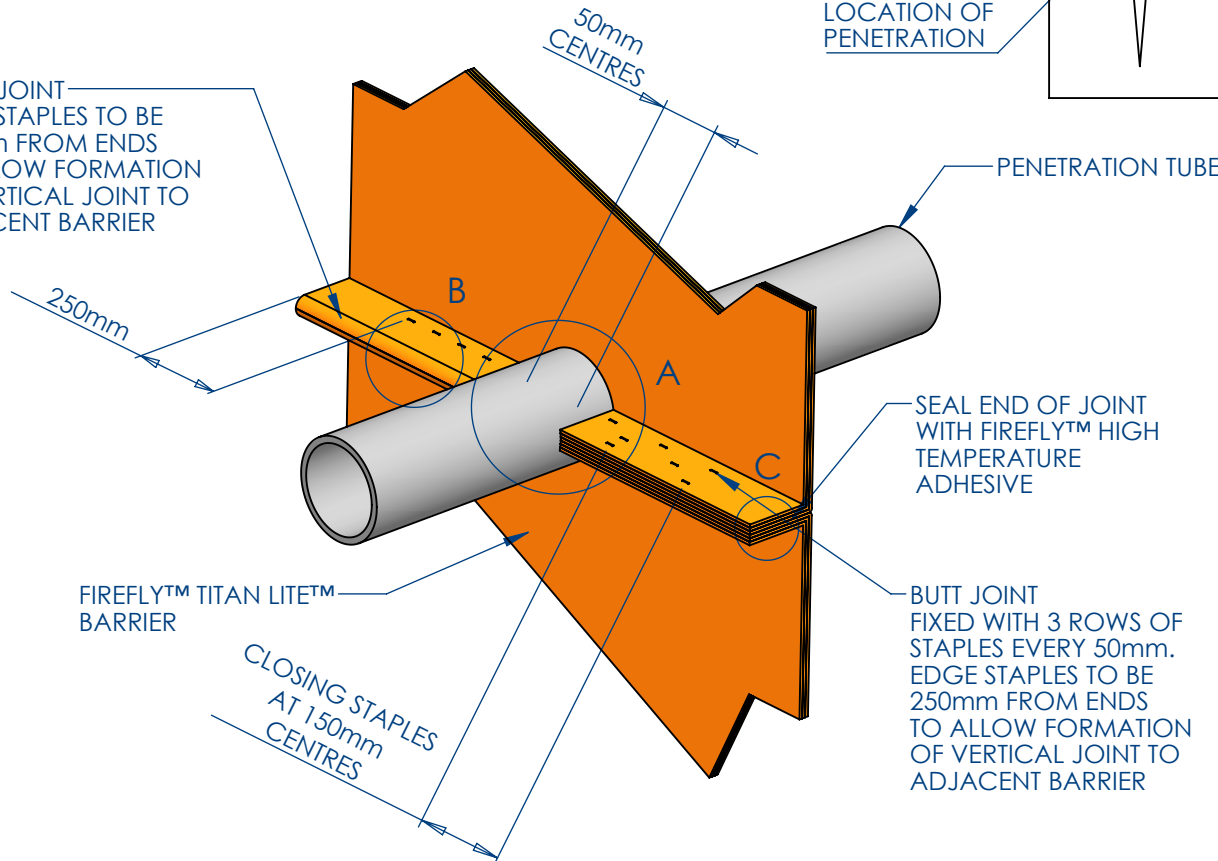
50mm

12mm STAPLES
AT 50mm
CENTRES



DETAIL 'B' - PLEAT JOINT

PLEAT JOINT
EDGE STAPLES TO BE
250mm FROM ENDS
TO ALLOW FORMATION
OF VERTICAL JOINT TO
ADJACENT BARRIER



50mm
CENTRES

250mm

PENETRATION TUBE

SEAL END OF JOINT
WITH FIREFLY™ HIGH
TEMPERATURE
ADHESIVE

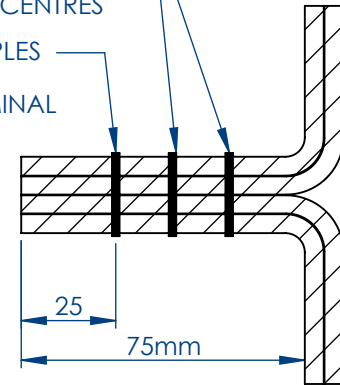
FIREFLY™ TITAN LITE™
BARRIER

CLOSING STAPLES
AT 150mm
CENTRES

BUTT JOINT
FIXED WITH 3 ROWS OF
STAPLES EVERY 50mm.
EDGE STAPLES TO BE
250mm FROM ENDS
TO ALLOW FORMATION
OF VERTICAL JOINT TO
ADJACENT BARRIER

2 ROWS OF
12mm STAPLES
STAGGERED AT
50mm CENTRES

CLOSING STAPLES
AT 150mm
CENTRES NOMINAL



DETAIL 'C' - BUTT JOINT

ALL RIGHTS RESERVED. NO PART OF THIS DRAWING MAY BE USED, REPRODUCED, ALTERED, STORED IN A RETRIEVAL SYSTEM OR TRANSMITTED IN ANY FORM OR BY ANY MEANS WITHOUT THE PRIOR WRITTEN PERMISSION OF TBA PROTECTIVE TECHNOLOGIES LTD. WHILST EVERY EFFORT HAS BEEN MADE TO COMPLY WITH THE CURRENT STATUTORY REGULATIONS, IT IS THE USER'S RESPONSIBILITY TO ENSURE THAT THE FINAL DETAILING AND INSTALLATION MEETS THE REQUIREMENTS OF RELEVANT REGULATORY AUTHORITY (OFTEN BUILDING CONTROL). PLEASE CHECK www.tbafirefly.com TO ENSURE THAT YOU ARE USING THE CORRECT AND CURRENT VERSION. COPYRIGHT 2019

TBA Protective Technologies Ltd
Unit 3, Transpennine Trading Estate
Gorrells Way, Rochdale, OL11 2PX
United Kingdom
T: +44 (0)1706 758 817
E: technical@tbafirefly.com
W: www.tbafirefly.com



Drawn By: RJ

Approved By: MPR

Scale: NTS

Date: 26/02/2020

Title: FIREFLY™ TITAN LITE™
BUTT & PLEAT JOINT

Drawing No.
T/010

Rev:
1