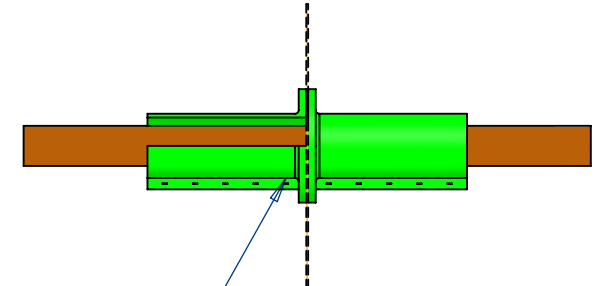


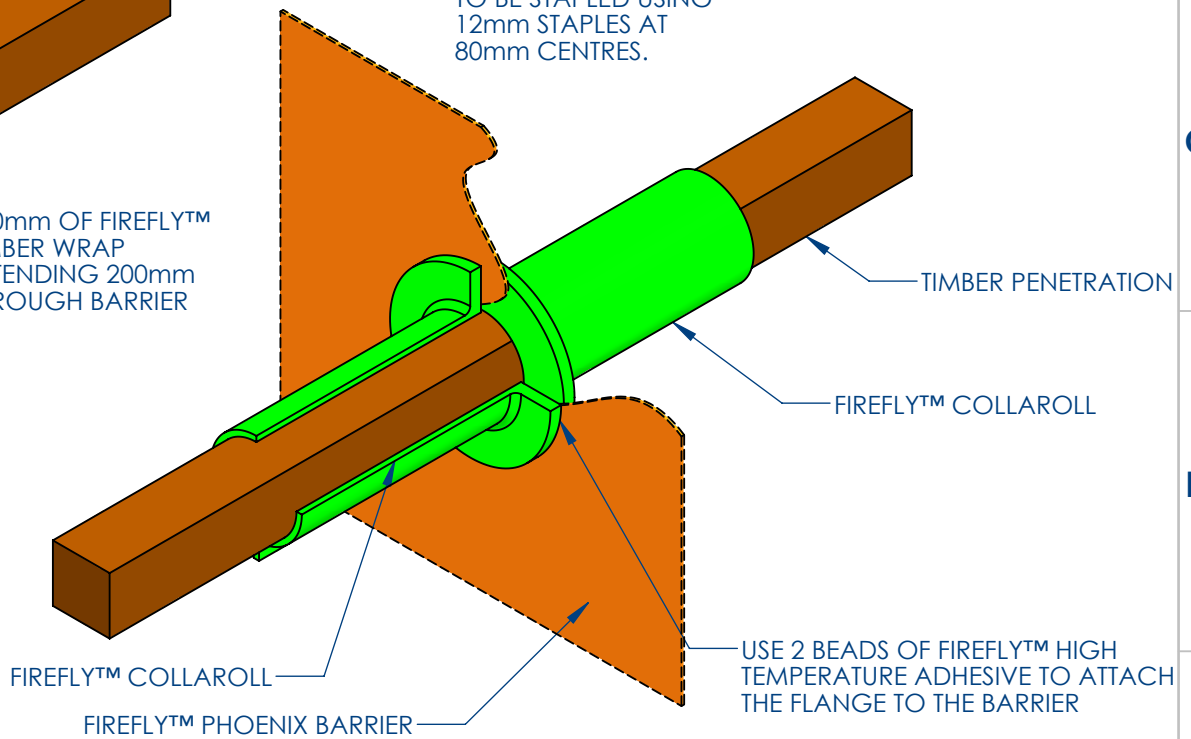
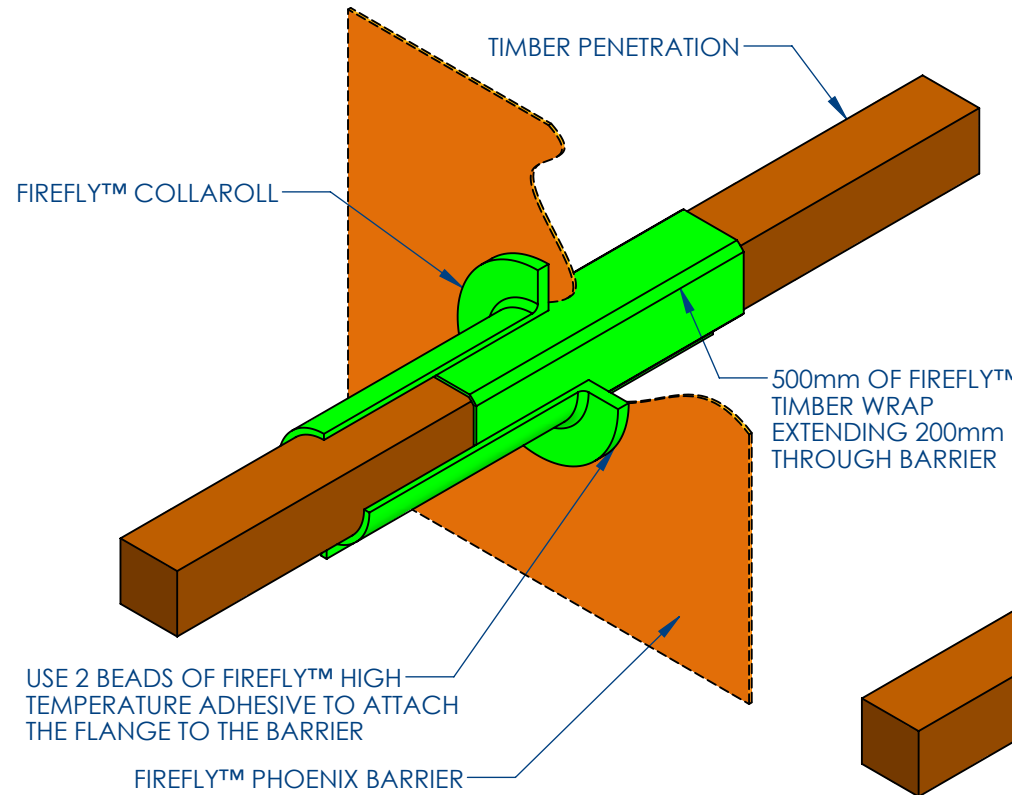


Firefly™

DO NOT SCALE. IF IN DOUBT ASK!



FIREFLY™ COLLAROLL TO BE STAPLED USING 12mm STAPLES AT 80mm CENTRES.



CUT-OUT SECTIONS IN DIAGRAMS SHOWING VARIOUS METHODS OF TREATING TIMBER PENETRATIONS

ALL RIGHTS RESERVED. NO PART OF THIS DRAWING MAY BE USED, REPRODUCED, ALTERED, STORED IN A RETRIEVAL SYSTEM OR TRANSMITTED IN ANY FORM OR BY ANY MEANS WITHOUT THE PRIOR WRITTEN PERMISSION OF TBA PROTECTIVE TECHNOLOGIES LTD. WHILST EVERY EFFORT HAS BEEN MADE TO COMPLY WITH THE CURRENT STATUTORY REGULATIONS, IT IS THE USER'S RESPONSIBILITY TO ENSURE THAT THE FINAL DETAILING AND INSTALLATION MEETS THE REQUIREMENTS OF RELEVANT REGULATORY AUTHORITY (OFTEN BUILDING CONTROL). PLEASE CHECK www.tbafirefly.com TO ENSURE THAT YOU ARE USING THE CORRECT AND CURRENT VERSION. COPYRIGHT 2019

TBA Protective Technologies Ltd
Unit 3, Transpennine Trading Estate
Gorrells Way, Rochdale, OL11 2PX
United Kingdom
T: +44 (0)1706 758 817
E: technical@tbafirefly.com
W: www.tbafirefly.com



Drawn By: RJ
Approved By: MPR
Scale: NTS
Date: 19/01/20

Title: FIREFLY™ PHOENIX
TIMBER PENETRATIONS
Drawing No. P/005

Rev: 2